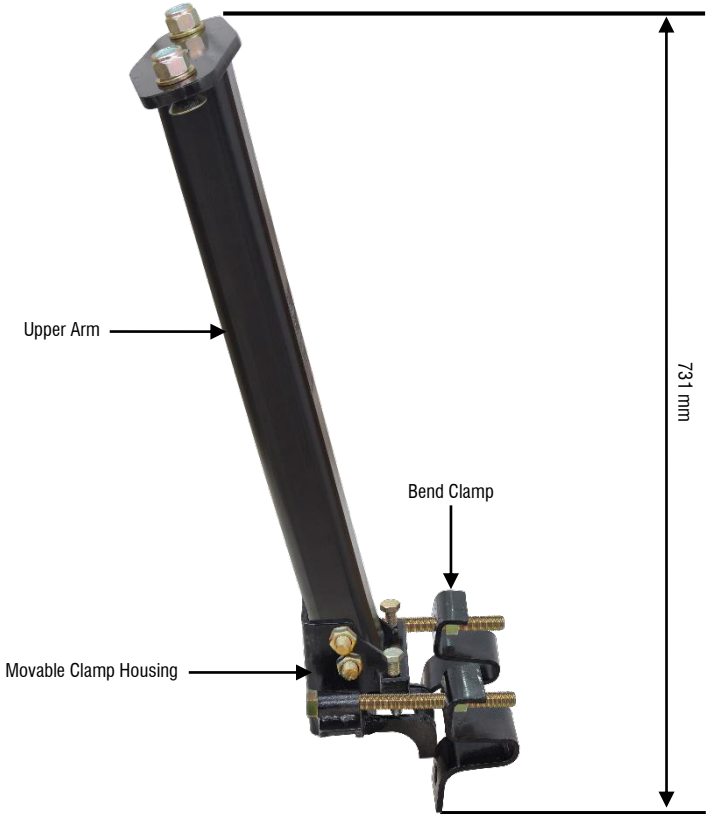


DOC. NO.	REVISION	ISSUE	DATE
QF/RD/05	01	00	05-10-2019



ANCHOR
Ref. No. SA 28



TESTED AS PER EN 795:2012 TYPE B & TS16415:2013 TYPE B

DESIGN

Anchor post is designed to be installed on metal I Beam.
 In addition to be used as a standalone anchor post, it can also be used to form a horizontal lifeline along the length of I Beam depending upon the requirement of site.
 Span lengths are adjustable with help of intermediates.
 Compatible with KARAM universal extremity plate PN 4000(09) and intermediate PN 4000(10)
 Compatible with 220.0mm width of I beam
 Suitable to be used by 4 users simultaneously

METAL COMPONENTS

Material	:	High Strength Alloy Steel
Finish	:	Hot dip galvanized

VITAL TEST COMPLIANCE

Static Strength	:	15 kN for 3 Minutes
Dynamic Strength & Integrity Test	:	When tested dynamically with a rigid mass of 100 Kg, the test mass shall arrested and anchor holds an increased mass of 300 Kg for 3 minutes

WEIGHT

150 gm ±10 gm